



Limit switches can be mounted on the screw jacks cover pipe to signal stroke positions such as end of travel. The switch is triggered by a cam or target disc on the end of the lead screw.

Features:

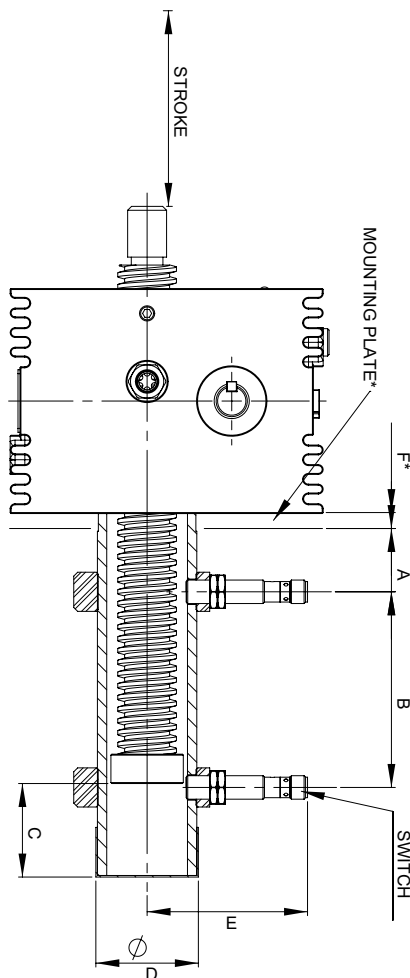
1. Inductive Proximity Sensors as standard. Others including electro-mechanical and safety rated available on request.
2. No contact, so no wearing parts.
3. 2 Wire sensor 24VDC for either Normally Closed (NC) or Normally Open (NO) switching.
4. Sensor has rugged one-piece Metal housing.
5. Optical setting aid
6. M12 Plug in connection for fast change-ability.
7. Sensor kit includes – sensor, mounting ring, target ring and modification to screw jack cover pipe.
8. Switch can have a fixed or adjustable mounting.
9. For full sensor details request Power Jacks design guide catalogue or download it from www.powerjacks.com

S-Series Screw Jack

Model	ST025	ST050	ST100	ST200
Switch Size	M12	M12	M18	M18
A (mm)	50	50	50	50
B (mm)	Stroke + 15	Stroke + 18	Stroke + 24	Stroke + 24
C (mm)	25	35	50	55
ØD (mm)	50	60	76	95
E (mm)±5	83	90	103	110
F (mm)	15	15	20	20
Switch Adjustment (mm)	±10	±10	±10	±10

Note:

1. *Mounting Plate (F) only required when screw jack is secured on this face.
Not required if secured on opposite face.
2. All dimensions in mm unless otherwise stated.
3. Dimensions subject to change without notice.



Any questions? Please contact us.

Morskate Aandrijvingen BV

Oosterveldsingel 47A
7558 PJ Hengelo (Ov)
The Netherlands

NL

T +31 (0)74 - 760 11 11
info@morskateaandrijvingen.nl
www.morskateaandrijvingen.nl

DE

T +49 692 - 222 34 95
info@morskateantriebstechnik.de
www.morskateantriebstechnik.de

EN

T +31 (0)74 - 760 11 11
info@morskatedrivetechnology.com
www.morskatedrivetechnology.com

S-SERIES

Rotary Limit Switches for Screw Jacks

Rotary limit switches can be used as end of travel limit switches with the option of intermediate switches as well. Each limit switch is individually adjustable over the entire stroke of the screw jack.

- 2 to 8 limit switches in one unit
- Useable revolutions from 4 to 16000
- Switch types include:
Changeover (Normally Closed / Open), Normally Closed, Gold or Silver contacts
- Maintenance free rotary cam gearbox
- Enclosure IP66 as standard
- Mounting options for B14 (face), B5 (flange) and B3 (foot)
- Available in 3 voltages 250VAC, 24VDC and 80VDC
- Operating temperature -40°C to $+80^{\circ}\text{C}$
- Options for potentiometer, anti-condensation heaters and encoders are available
- Stage technology version to VBG70 available

These units are mounted onto a screw jacks free worm shaft and offer an alternative where cover pipe mounted limit switches are not possible e.g. rotating screw jacks. For full details on the RLS-51 limit switch request a brochure from Power Jacks or download details from www.powerjacks.com



Model	S-025	S-050	S-100	S-200
A	138	151	172	201
ØC	86	86	100	125
E	10	10	11	13
ØD	120	120	160	160

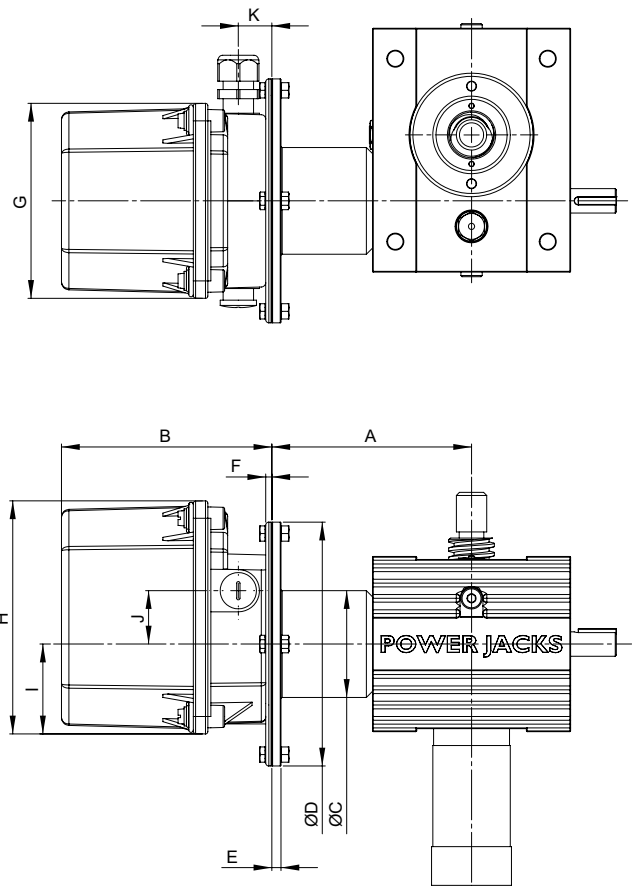
B		Switches			
Size	Revolutions	2	4	6	8
1	4.1, 6.5, 11	132	132	157	157
2	17.5, 29, 48	132	132	157	182
3	75, 125, 205	132	132	157	182
4	323, 540, 880	132	157	182	207
5	1384, 2288, 3735	132	157	182	207
6	5900, 9800, 16000	157	157	182	207

All Units					
F	G	H	I	J	K
4	128	153	59	35	18

Maximum speed of RLS-51 input shaft is 1800rpm.
The mounting kit includes the flexible coupling and worm shaft adaptor.

Note:

1. All dimensions are in millimetres (mm) unless otherwise stated.
2. Dimensions are subject to change without notice.





Single Face Screw Jacks

- Metric Machine Screw Jacks 10kN to 3500kN
- Metric Ball Screw Jacks 10kN to 500kN
- Metric Stainless Steel Screw Jacks 10kN to 300kN
- Imperial (inch) Machine Screw Jacks 1/4Ton to 250Ton
- Imperial (inch) Ball Screw Jacks 1/2Ton to 50Ton
- Imperial (inch) Stainless Steel Screw Jacks 2Ton to 100Ton
- Special Designs Available



EMA Linear Actuators

- Machine Screw & Ball Screw
- Low load, Medium Duty, High Speed
- Dynamic Load Ratings up to 10kN
- Linear Speeds up to 5500 mm/min
- 3-phase AC, 1-phase AC, and DC types
- Special Designs Available



Rolaram Linear Actuators

- Ball Screw & Roller Screw
- High load, High Duty, High Speed
- Very High Accuracy
- Dynamic Load Ratings up to 400kN
- Linear Speeds up to 7000 mm/min
- 3-phase AC, 1-phase AC, and DC types
- Special Designs Available



Spiracon Roller Screws

- High Dynamic Loads up to 1200kN
- High Efficiency
- High Positional Accuracy
- Long Life
- Low Maintenance
- Low Noise
- Robust Design for Harsh Environments
- Special Designs Available



Neeter Drive Bevel Gearboxes

- 2-way, 3-way and 4-way Designs
- Solid Shaft & Hollow Shaft
- Motor Adaptors
- Gear Ratios 1:1, 1.5:1, 2:1, 3:1 and 4:1
- Torque Ratings up to 3000Nm
- Special Gear Ratios and Designs Available